

Genuine BMW Accessories

Rail support

F1x, F2x, F3x, F4x

NEWS:

- New model added

Product description

The multi-functional roof rack has been developed for the new generation of roof rail vehicles.

Sales features / benefits

- Simple, **tool-free installation**. The improved grip on the turning wheel makes handling easier.
- The customer can easily recognise when the correct tightening torque has been reached on the roof rack by a loud and clearly distinguishable **clicking noise**.
- The roof rack is optimised for the use of **BMW attachments** (e.g. roof box, ski holders, surfboard holder and bicycle carriers).
- **High-quality**, attractive design perfectly coordinated with the car.
- Extremely **stable in use**.

Functionality

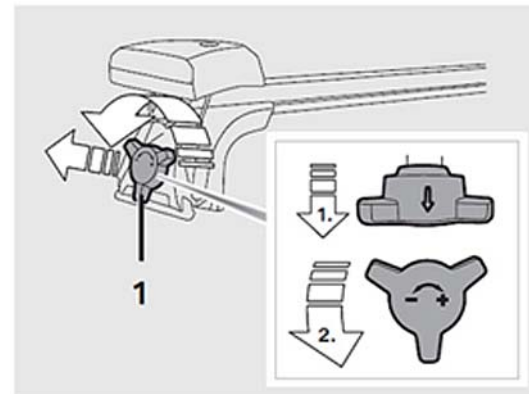
- The operation of the locking system has been significantly improved thanks to the turning wheel's telescopic function.
- Automatic torque limitation.
- Automatic width adjustment.
- Safety function: the flap can only be locked when the turning wheel is in a defined position.

Competition comparison

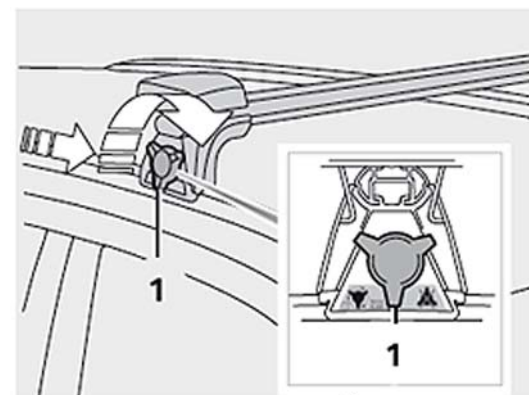
- This type of tool-free installation is not offered by any other competitor in this price segment.
- The system satisfies considerably stricter safety requirements than competitor systems. The simulated impact speeds are significantly higher than the market standard.



Rail supports only for cars with roof rail



Extremely simple operating concept



Correct positioning of the turning wheel

(Continued on page 2)

Content/relevance

Please note that this product information is intended solely as prior information regarding new products.

Before ordering, always check the specified part numbers in the EPC. Only the EPC provides the information that should be taken as valid and current.

Complete price package

For a detailed tender preparation, find the complete price package on the KSD DVD.

Please refer to your price system or the latest price publications for the latest prices.

Rail support

F1x, F2x, F3x, F4x

Supplied package

- 2 carrier bridges
 - 4 keys (theft protection)
 - Positioning stickers
 - Installation information
- See EPC for details of the kit's contents.

Technical information

- Weight of both rail supports approx. 5 kg.
- The maximum roof load can be found in the vehicle's paperwork.

Promotion

Product can be sold all year round, since the holders match all BMW and MINI attachments (e.g. roof box, ski holders, surfboard holder and bicycle carrier).

The presentation of the installed roof rack on cars in the dealership's sales area (possibly with roof box / bicycle carrier) creates a spontaneous purchase impulse.



Note

- Cars without roof rails cannot be used for transporting items on the roof.
- The roof rails can be retrofitted by the BMW Service Partner.

Please notify the customer that the rail supports must be removed before going through a car wash. ◀



Safety note

Please alert the customer to the fact that the total weight (base carrier + attachments + payload = existing roof load) must not be exceeded! The permissible roof load can be found in the BMW Owner's Manual for the car in question. ◀

Installation time

Can be installed by the customer.

Installation time approx. 5 - 10 minutes for first installation; repeat installations take less than 5 minutes.

Installation information

01 29 2 350 129 see ASAP

Part numbers

Name	Availability/ EPC DVD	Part number
F31 rail support	since 09/2012	82 71 2 232 291
F15 cross-member	since 09/2012	82 71 2 232 293
F16 rail support	from 10/2014	82 71 2 350 122
F26 rail support	from 07/2014	82 71 2 350 123
F45/F31 rail support	from 09/2014	82 71 2 350 124
F46 rail support	from 02/2015	82 71 2 350 125